

NetWay5PQWPN

5-Port Hardened PoE+ Switch



Altronix NetWay5PQWPN hardened PoE+ switch provides power for up to four (4) IP devices, such as PoE access controllers and cameras – utilizing a single Ethernet cable going to the headend. Other applications may include solar power, as well as integrating network door access systems with video surveillance. Features embedded LINQ™ Technology to remotely monitor, control, and report power/diagnostics.

For unmanaged switch see model NetWay5PWPN.



NetWay5PQWPN

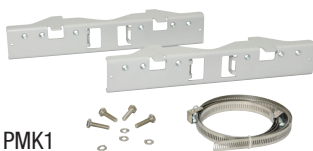
Key Features

- Four (4) 10/100/1000 Mbps PoE/PoE+ (up to 30W) ports
- IEEE 802.3af (15W) and IEEE 802.3at (30W) compliant
- 120W total power
- PoE activity LED indicators
- Management interface software included (USB flash drive)
- VLAN (Virtual Local Area Networks) subnetwork allows for the grouping together of devices for improved network traffic and higher security
- NEMA4/4X, IP66 Rated enclosure for outdoor use
- CE European Conformity
- Lifetime Warranty

Similar products

NetWay5PQWPX	Outdoor Managed 5-port PoE+ Hardened Switch in NEMA 4/4X, IP66-11 enclosure which accommodates stand-by batteries
NetWay5PQWP	Outdoor Managed 5-port PoE+ Hardened Switch in NEMA 4/4X, IP66-11 enclosure
NetWay5PQX	Indoor Managed 5-port PoE+ Hardened Switch in NEMA 1 Rated indoor enclosure
NetWay5PQ	Managed 5-port PoE+ Hardened Switch (board only)

Accessories (order separately)



PMK1 - Pole Mount Kit

PMK1 pole mount kit is designed to simplify installation of outdoor units. It accommodates 2" - 8" (diameter) poles.

Lifetime Warranty

Specifications

Input Power 12 or 24VDC from a UL Listed power source or a solar panel with nominal 24V (~12-35V) output
24VDC, current draw: 120W
12VDC, current draw: 120W

Power Output
Maximum Power Four (4) 10/100/1000 Mbps PoE/PoE+ (rated up to 30W) ports
60W (at 12VDC) or
120W (at 24VDC) total power
Integral surge protection

Uplink Port Single data port

Ethernet Ports
Five (5) 10/100/1000 Mbps ports
Connectivity: RJ45, auto-crossover
Wire type: 4-pair CAT5e or higher structured cable
Distance: up to 100m
Speed: 10/100/1000 Mbps, half/full duplex, auto negotiation

LINQ Technology:
Remote network power management allows for device reset and monitoring
Provides local and/or remote access to critical information via LAN/WAN
Email and Windows Dashboard Alert notifications report real-time diagnostics
Event log tracks history

VLAN:
Multiple management VLAN assignment
802.1Q Tagged VLAN
Up to 10 VLAN groups. ID Range 2-4095

Indicators (LED)
Individual PoE On LEDs for each port
Individual IP Link status, 10/100Base-T/active LEDs for each port

Agency Listings
CE European Conformity

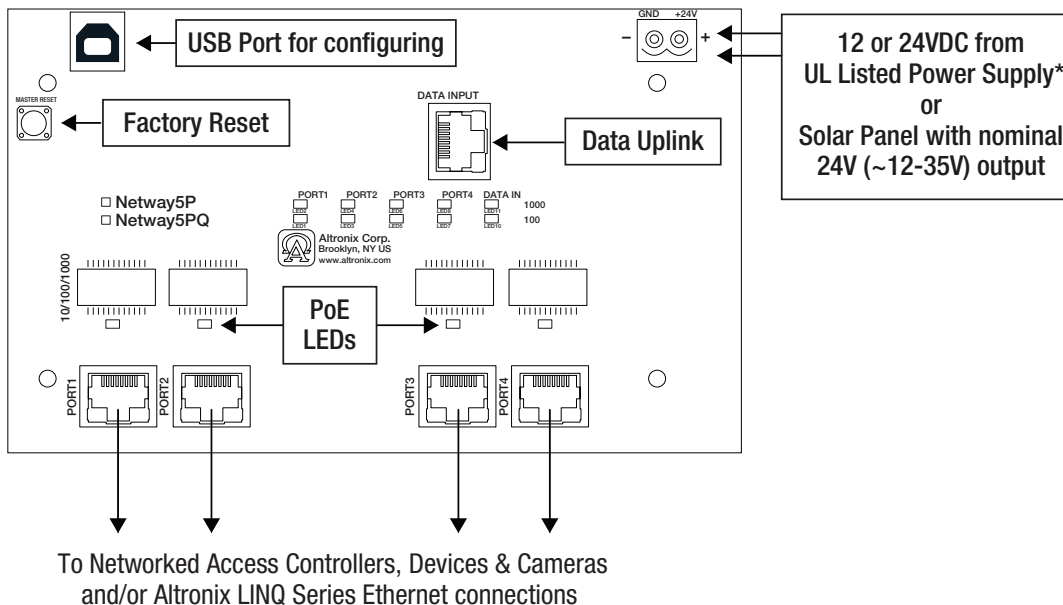
Physical and Environmental
Dimensions (H x W x D)
Enclosure:
9.32" x 7.32" x 4.92" (236.7mm x 185.9mm x 125mm)
Shipping:
13" x 10" x 7" (330.2mm x 254mm x 177.8mm)

Weight (approx.)
Product: 2.2 lb. (1.01 kg)
Shipping: 3.2 lb. (1.45 kg)

Temperature
Operating: -30°C to 70°C (-22°F to 158°F).
Storage: -40°C to 85°C (-40°F to 185°F)

Relative Humidity 85% +/- 5%
Operating Altitude: -304.8 to 2,000m

Typical Application

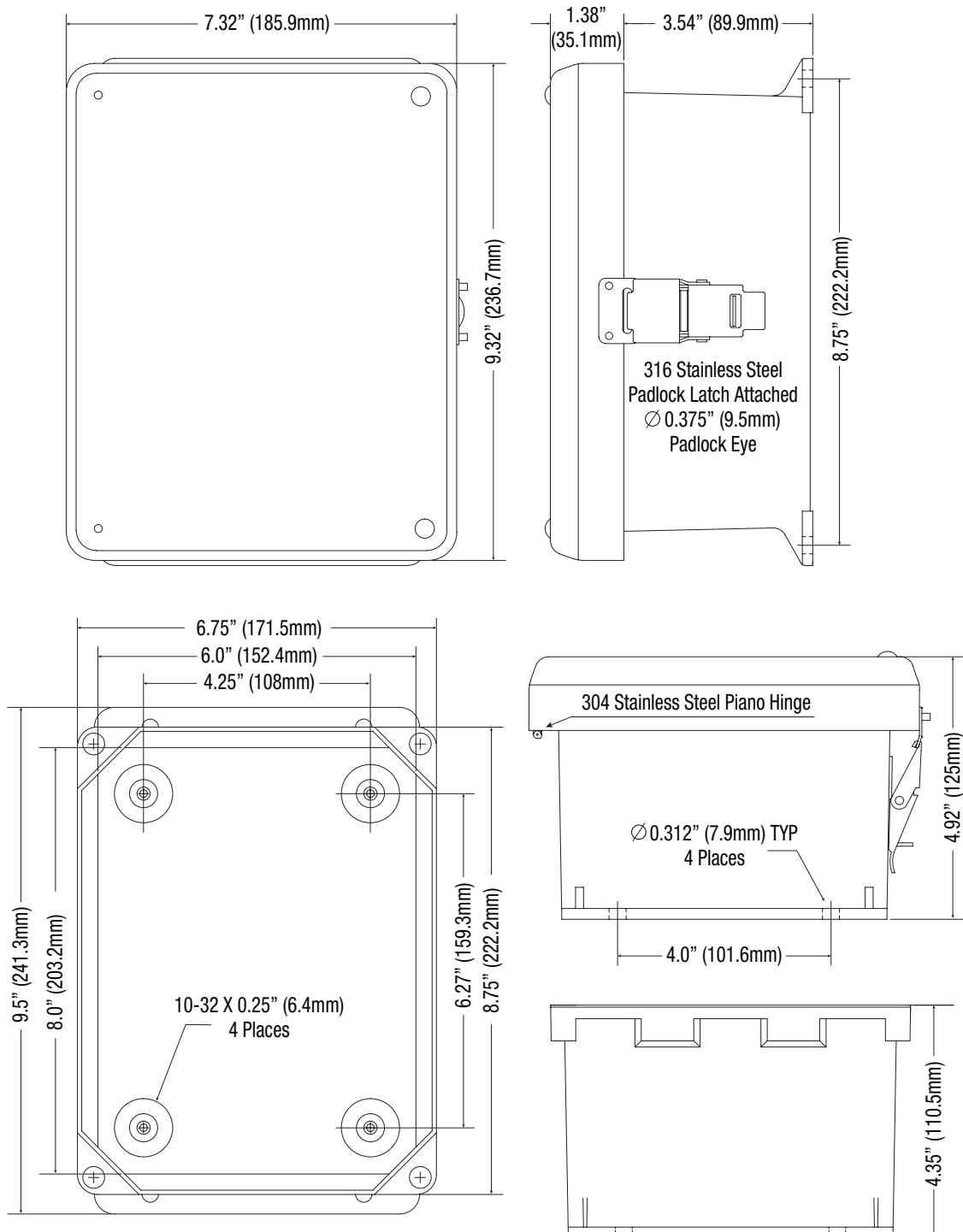


Lifetime Warranty

Dimensions and Drawing

Dimensions (H x W x D approximate)

9.32" x 7.32" x 4.92" (236.7mm x 185.9mm x 125mm)



Lifetime Warranty

Altronix Corporation | 140 58th St | Brooklyn, NY 11220 USA

phone: +1 718.567.8181 | fax: +1 718.567.9056 | email: info@altronix.com | www.altronix.com