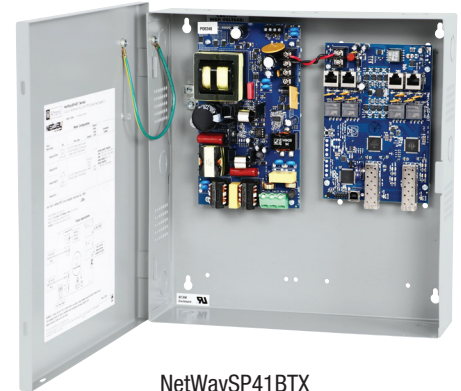


NetWaySP41BTX

4-port Hardened Indoor 4PPoE (802.3bt) Switch with Integral Power



Altronix NetWaySP41BTX supports up to 90W per port (240W total power) for deploying the latest high-powered IP devices in remote locations. It is equipped with two (2) 1Gb SFP ports to transmit data at long distances and four (4) 802.3bt compliant Ethernet ports. NetWaySP41BTX accommodates single/multi-mode fiber or composite cable (fiber+copper) to simultaneously deliver power and data from NetWay Spectrum head-end media converters/injectors.



NetWaySP41BTX

Key Features

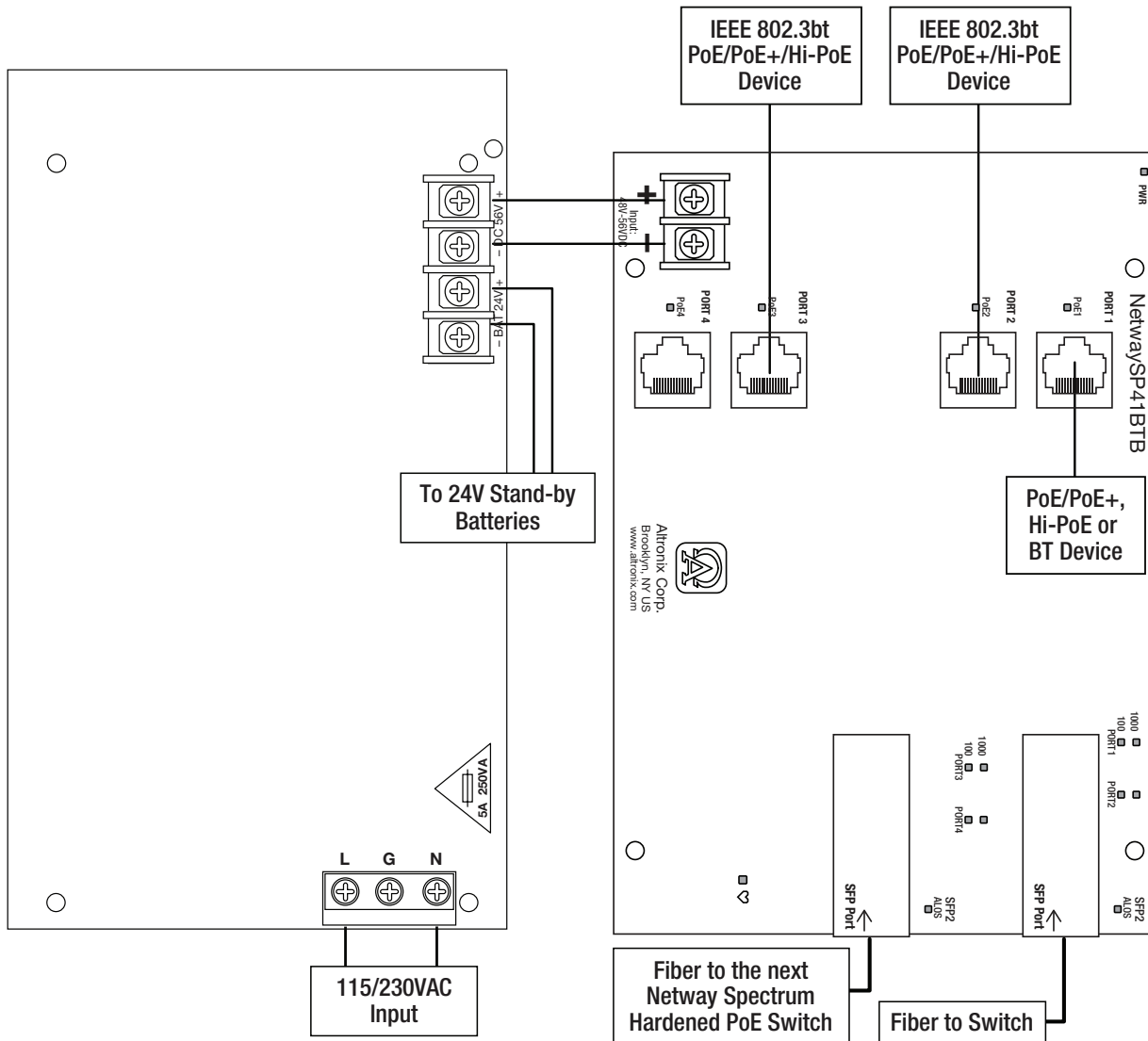
- Four (4) 10/100/1000 Mbps Ethernet ports rated at 90W each (limited to 240W total power)
- IEEE 802.3af, 802.3at, 802.3bt compliant
- Two (2) Gigabit SFP ports
- Built-in charger for LiFePO₄ (Lithium Iron Phosphate) or sealed lead acid or gel type batteries
- CE European Conformity
- NEMA 1 Rated enclosure for indoor use

Similar products

NetWaySP41BTWPX	Outdoor 4-port Hardened 4PPoE Switch with Integral Power in NEMA 4/4X, IP66-11 enclosure which accommodates stand-by batteries
NetWaySP41BTWP	Outdoor 4-port Hardened 4PPoE Switch with Integral Power in NEMA 4/4X, IP66-11 enclosure
NetWaySP41BTWPN	Outdoor 4-port Hardened 4PPoE Switch in NEMA 4/4X, IP66-11 enclosure
NetWaySP41BTPL	4-port Hardened 4PPoE Switch with Integral Power on a Backplane
NetWaySP41BTB	4-port Hardened 4PPoE Switch (board only)

Lifetime Warranty

Typical Application



Accessories (order separately)



SFP Modules - Hot pluggable Transceivers

- P1MM** Multi-Mode SFP Module for distances up to 550m.
- P1SM10** Single-Mode SFP Module for distances up to 10km.
- P1AB2K** Single Strand SFP Module for distances up to 2km.
- P1GCE** Copper SFP Module for distances up to 100m.



NetWaySP1A -

Ethernet over Fiber Media Converter/Repeater for Applications Requiring an Additional SFP (Fiber) Port

NetWaySP1A PoE powered media converter/repeater converts 10/100/1000 Mbps to Fiber (1000Base-X/SX/LX).

Lifetime Warranty



NetWaySP41BTX

4-port Hardened Indoor 4PPoE (802.3bt) Switch with Integral Power



Specifications

Input

Voltage 115VAC, 60Hz, 1.8A or
230VAC, 50/60Hz, 1A

Fusing 5A/250V

Power Output

Maximum Power Four (4) PoE ports rated at 90W each,
240W total power
IEEE 802.3af (15W),
IEEE 802.3at (30W),
IEE 802.3bt (90W) compliant
Integral surge protection

SFP Ports: Two (2) Gigabit SFP ports

Ethernet Ports: Four (4) 10/100/1000 Mbps ports
Connectivity: RJ45, auto-crossover
Wire type: 4-pair CAT5e or higher
structured cable
Speed: 10/100/1000 Mbps,
half/full duplex, auto negotiation

Battery Charging

Type 24VDC charging circuit charges
LiFePO₄ (Lithium Iron Phosphate) or
sealed lead acid or gel type batteries
(require separate ventilated enclosure)

Failover Upon AC loss, instantaneous
Batteries are sold separately

Indicators (LED)

Individual PoE On LEDs for each port
Individual IP Link status, 10/100/1000 Base-T/active
LEDs for each port
ALOS LED indicates fiber connection for SFP port
Heartbeat LED indicates proper operation of the unit

Agency Listings

CE European Conformity

Physical and Environmental

Dimensions (H x W x D)

Enclosure: 13.5" x 13" x 3.25"
(342.9mm x 330.2mm x 82.6mm)
Shipping: 15" x 13.875" x 4.75"
(381mm x 352.4mm x 120.6mm)

Weight (approx.)

Product: 6.85 lb. (3.11 kg)
Shipping: 7.75 lb. (3.51 kg)

Temperature

Operating:
240W: - 40°C to 55°C (- 40°F to 131°F)
180W: - 40°C to 65°C (- 40°F to 149°F)
150W: - 40°C to 75°C (- 40°F to 167°F)
Storage: - 40°C to 85°C (- 40°F to 185°F)

Relative Humidity 85% +/- 5%

BTU/Hr (approx.) 122 BTU/Hr.

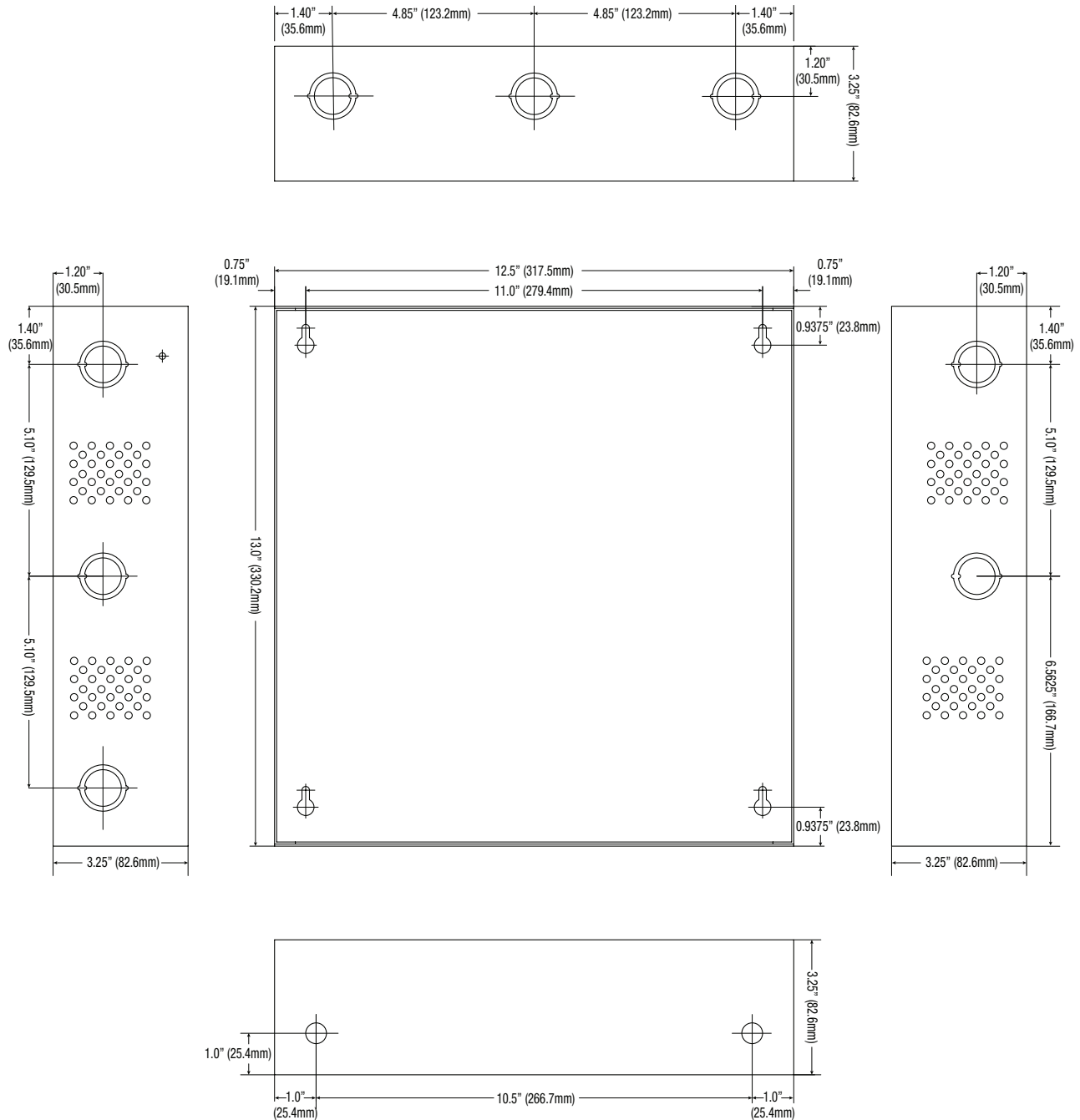
Operating Altitude: - 304.8 to 2,000m

Lifetime Warranty

Dimensions and Drawing

Dimensions (H x W x D approximate)

13.5" x 13" x 3.25" (342.9mm x 330.2mm x 82.6mm)



Lifetime Warranty

Altronix Corporation | 140 58th St | Brooklyn, NY 11220 USA

phone: +1 718.567.8181 | fax: +1 718.567.9056 | email: info@altronix.com | www.altronix.com